



 STEP-files S200

S200

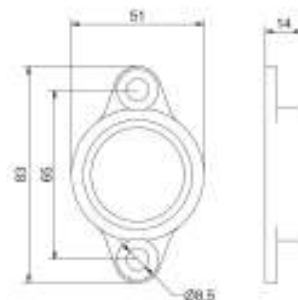


Serie 200

Bearing house

Bearing house for bearing 6004
 Black reinforced nylon
 Weight 15 g

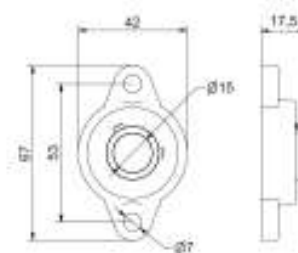
Part no. 200-6050



Flange bearing UFL002

Cast aluminum and steel
 Weight 88 g

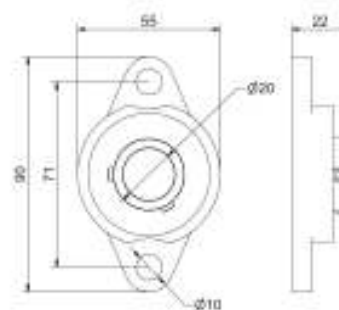
Part no. 200-6060



Flange bearing UFL004

Cast aluminum and steel
 Weight 202 g

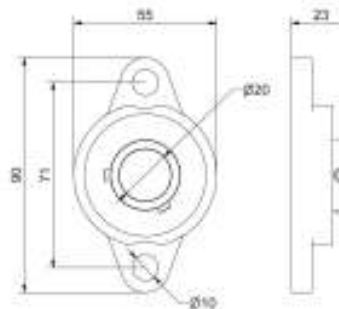
Part no. 200-6070



Flange bearing UFL004 SS

Cast stainless steel
 Weight 229 g

Part no. 500-3290

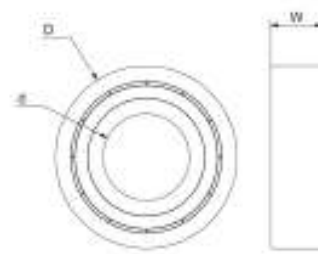


Serie 200

Ball bearing

Standard ball bearing with sealing plate.

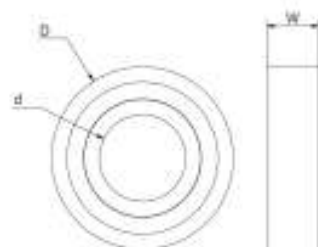
Part no.	d	D	W	Weight
6202-2Z	15	35	11	47g
6003-2Z	17	35	10	41 g
6203-2Z	17	40	12	67 g
6004-2Z	20	42	12	70 g



Stainless steel ball bearing

Stainless steel ball bearing with rubber seal

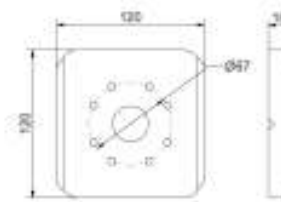
Part no.	d	D	W	Weight
SS6202-2RS	15	35	11	44 g
SS6003-2RS	17	35	10	39 g
SS6203-2RS	17	40	12	64 g
SS6004-2RS	20	42	12	66 g



Serie 200

Pallet

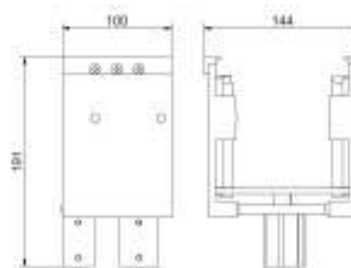
Pallet with stainless steel pin for detection with inductive sensors. Used with conveyor S830 and guide rail 300-3050.
Black polyamid and stainless steel.



Part no. 200-7020

Pallet station

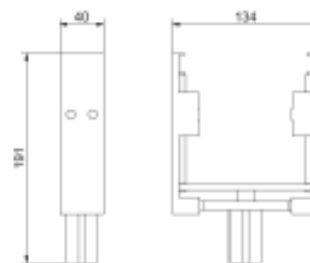
Stop and fix for pallet 200-7020 including 2 pcs pneumatic cylinders. Anodized aluminum and steel.



Part no. 200-7000

Pallet station

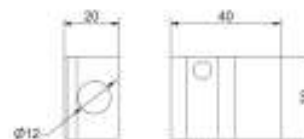
Stop unit for pallet 200-7020 including 1 pcs pneumatic cylinder. Anodized aluminum and steel.



Part no. 200-7010

Sensor bracket

Sensor bracket for sensor size M12. Anodized aluminum and steel.



Part no. 14732